



## KE2 Local Area Dashboard & Alarms (KE2 LDA)

# Dashboard up to 10 Ethernet or Serial-ModBus Controllers



## Remote monitoring, alarming & control for all KE2 Therm controllers

KE2 Therm's Local Area Dashboard & Alarms (KE2 LDA) is the perfect addition to your Refrigeration Network. When connected to the same network as KE2 Therm controllers, it immediately and automatically scans and finds all KE2 Therm controllers.

The KE2 LDA is multi-functional, communication device designed for smaller installations. Monitor, control and receive alarm notifications for up to ten KE2 Therm Ethernet or Serial-ModBus controllers, in a single view – with just one KE2 LDA.

### The KE2 LDA provides the ability to:

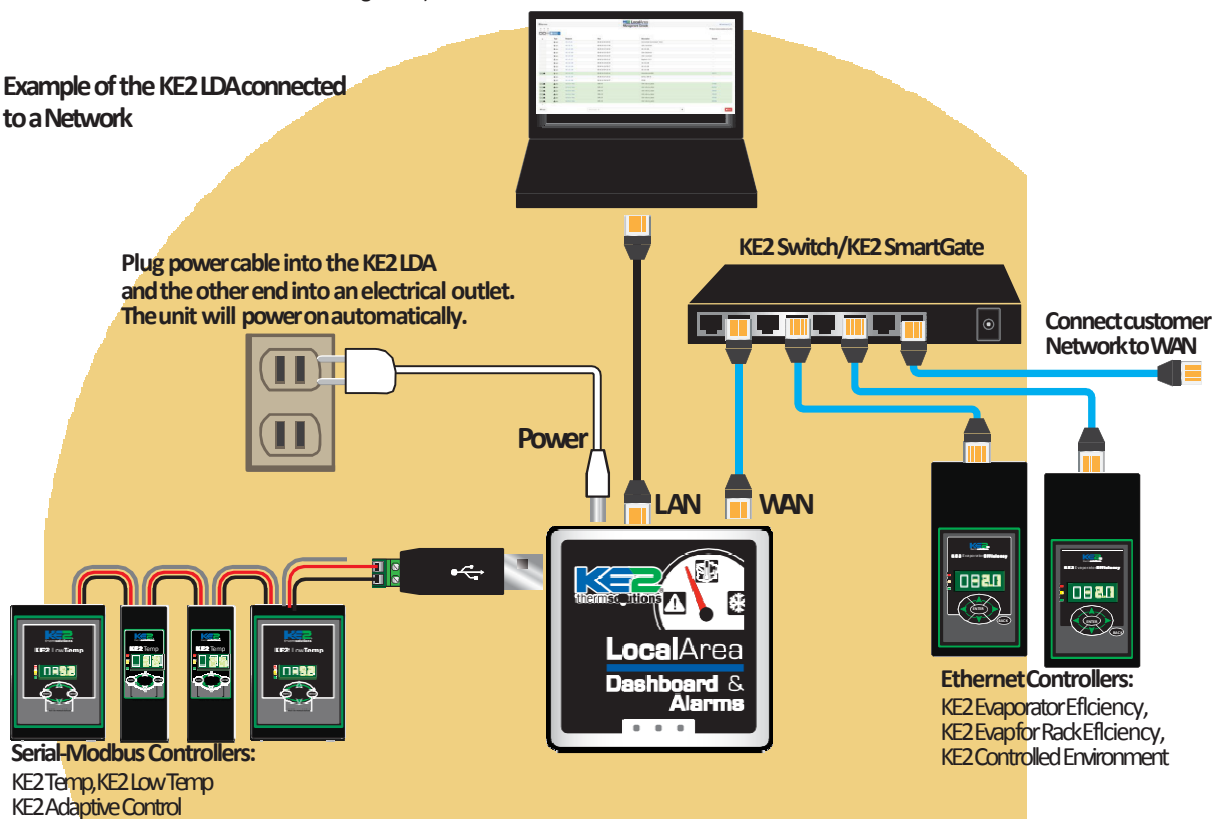
- Serve as a Permanent WiFi Service Tool
- Display a Local Area Dashboard showing the controllers connected to the customer's network
- Send email Alarm notifications for all connected controllers, to multiple email recipients
- Create a Wireless Bridge to the local network (wirelessly connect a controller to existing WiFi)\*

- View Serial devices in a webpage, make changes to set-points, and receive alerts via email or text message
- Connect controllers to KE2 SmartAccess customer portal, to view through the Internet
- Connect Ethernet controllers, with older firmware, to KE2 SmartAccess without requiring controller upgrades

While the KE2 LDA is a Local Area network device, it enables customers to access their controllers over the Internet, by functioning as a conduit to KE2 SmartAccess, a KE2 Therm hosted portal, available for a nominal monthly charge.

\*Not available in the first release.

### Example of the KE2 LDA connected to a Network





# KE2 Local Area Dashboard & Alarms (KE2 LDA)

Screen shot of the KE2 LDA's Dashboard of controllers on a network.

Services							LocalArea Dashboard	Manage
Type	Endpoint	Location	Mode	Room	Alarm			
IPC	10.1.0.134	CowardlyLionV2R5	Refrigerate	-15.0 F	T4 Aux Sensor			
MBC	Service View	(Set device_name)	Refrigerate	36.7 F	All Clear			
MBC	Service View	(Set device_name)	Off	-9.5 C	All Clear			
MBC	Service View	(Set device_name)	Refrigerate	36 F	High Air Temp			
MBC	Service View	(Set device_name)	Defrost	Sensor	Air Temp Sensor			
MBC	Service View	(Set device_name)	Drain	36.1 F	All Clear			
MBC	Service View	(Set device_name)	Defrost	3 F	All Clear			

## KE2 LDA's Management Console

From the screen above, select Manage, and access the Management Console. This allows the controllers to be published to KE2 Smart Access, added or removed from the Local Dashboard, setup text message/email alerts, and scan the network for additional devices. Then, to access detailed information or adjust an individual controller, select that controller's IP address from the list.

Services					LocalArea Management Console
Type	Endpoint	Host	Description		
IPC	10.1.0.66	00:04:A3:BC:B3:B5	Controlled Environment Test2		
IPC	10.1.0.76	00:04:A3:52:C7:98	(Set Location)		
IPC	10.1.0.101	00:04:A3:C7:92:B3	10.1.0.101		
IPC	10.1.0.104	00:04:A3:52:C8:47	Comp Sequencer		
IPC	10.1.0.126	00:04:A3:13:A3:FA	(Set Location)		
IPC	10.1.0.127	00:04:A3:50:A1:AF	Bagheera V4.2		
IPC	10.1.0.128	00:04:A3:14:E4:48	10.1.0.128		
IPC	10.1.0.129	00:04:A3:14:E0:C7	10.1.0.129		

Service view of two controllers connected to the KE2 LDA.

KE2Temp

KE2 Temp 2 (KE2 Temp) Show Simple View

**System State**

- System Mode: Refrigerate
- Room Temperature: 36.7 F
- Relay: Relay On
- Alarms: None

**Manual System Control**

Next Mode

**Setpoints**

- Room Temperature: 35 F
- Air Temp Diff: 3 F
- Compressor Starts Per Hour: 6
- Defrost Time: 15
- Defrosts Per Day: 8
- HiTemp Alarm Offset: 10 F
- HighAndLowAlarm: 90

Temperature Units: Fahrenheit

KE2 Evaporator Efficiency

KE2 Therm Evaporator Efficiency

KE2 Therm Solutions (888) 337 3358 | IP Address: 10.10.121.11 | Location: WIC - General - Evap#2  
MAC Address: 00:1E-C0-B6-28:3D

System Mode: Refrigerate	Room Temp: 36.1 F	Coil Temp: 32.9 F	Compressor Relay: On	Evaporator Fan Relay: On	Alarm Relay: Off	AUX Relay: Off	All Clear
Defrost Relay: Off	Door Sw: Closed	Dgt Input2: Disabled	Dgt Input3: Disabled	T4 Coil Temp: 28.0 F			
Superheat: 5.3 F	Suction Press: 50.0 paig	T1 Suct Temp: 21.1 F	Sat Temp: 15.8 F	Valve Position: 39.2 %			

Home Page | Settings | Network | Setpoints | Graphs | Siteview | Active Users: 2

Service view of a KE2 Evap Home Page. From this screen view current performance, or access one of the KE2 Evap's other pages, to remotely adjust setpoints, determine addresses for alarm notifications, and view graphs of performance history.

Screenshot of Service view of a KE2 Temp. From this screen view current performance, remotely adjust setpoints, name the controller, and manually initiate defrost cycles.